

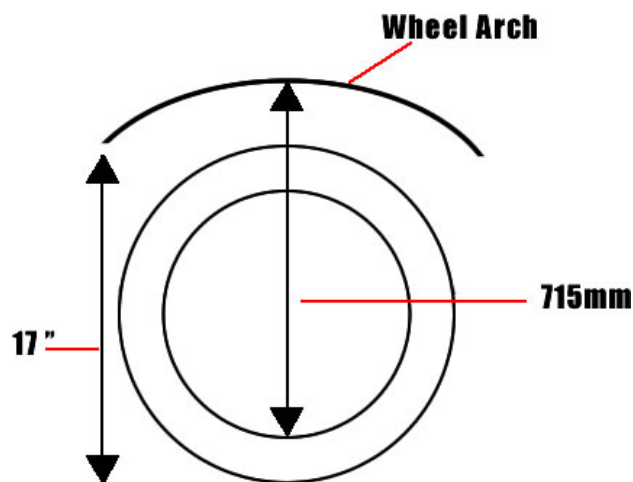
Pedders Vehicle Height Measurement

We don't quote a "Drop" or a "Raise" for our springs. The reason for this is simple. Cars settle over time and as a result your car is likely to be lower than it was when it left the factory.

We quote an installed ride height.

This is measured from the bottom of the wheel RIM to the wheel arch. This will be quoted in conjunction with wheel size. If you have different size wheels fitted, then deduct or add $\frac{1}{2}$ the difference in wheel diameter to the ride height measurement.

Example: Ride Height 715mm with 17 inch wheels



The same car but with 18 inch wheels. The wheel is one inch bigger, which in round numbers is 25mm. Divide 25 by 2 which gives 12.5mm. Add this to the 715mm which gives 727.5mm. This will be the measured ride height on the same car given in the example but with 18 inch wheels.

